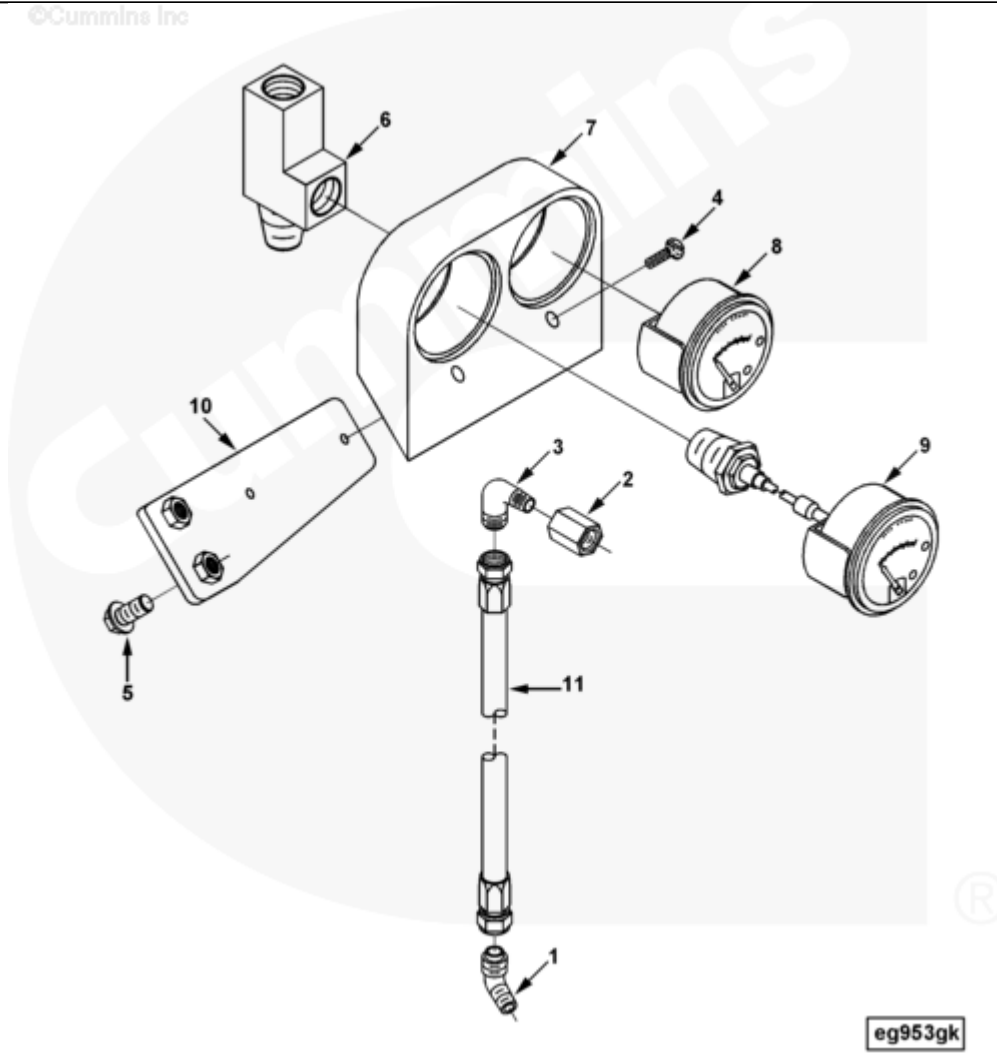




## Parts Catalog - Option Detail

Electronic Parts Catalog - Option Detail				
Option	Group	Graphic	Film Card	Date
EG9242-03	15.08	eg953gk	Z	05-AUG-03
<b>Engines</b>	6C8.3, C GAS PLUS CM556, G8.3, G8.3 CM558, GTA8.3 CM558, ISC CM2150, ISC CM554, ISC CM850, ISC8.3 CM2250, ISC8.3 G CM2180 C101, ISL CM2150, ISL CM554, ISL CM850, ISL G CM2180, ISL8.9 CM2150 L110, ISL8.9 CM2880 L112, ISL9 CM2150 SN, ISL9 CM2250, ISL9 CM2350 L101, ISL9 CM2350 L111, ISLE4 CM850, L GAS PLUS CM556, L8.9, L8.9 L121, L8.9G CMOH2.0 L125B, L9 CM2350 L116B, L9 CM2350 L119B, L9 CM2350 L120C, L9 CM2350 L123B, L9.3 L105, L9.5 L117, L9N CM2380 L124B, QSC8.3 CM2250, QSC8.3 CM2880 C102, QSC8.3 CM554, QSC8.3 CM850(CM2850), QSL9 CM2250, QSL9 CM2250 L115, QSL9 CM2350 L102, QSL9 CM2350 L107, QSL9 CM2350 L118, QSL9 CM2350 L122, QSL9 CM554, QSL9 CM850(CM2850), QSL9 G CM558, QSL9 M CM2250 L106, QSL9.3 CM2880 L113			



eg953gk

[SMALL](#) | [MEDIUM](#) | [LARGE](#)

Cart	Ref No	Part Number	Part Description	Required	Remarks

View My Cart

		<a href="#">EG9242-03</a>	Engine Instrument Panel		<a href="#">MR - ENGINE INSTRUMENT PANEL... (More)</a>
					Mechanical Water Temperature
					and Oil Pressure Gauge
					Mounted in a Rubber Panel
					Location: Fuel Pump Side of
					Engine
					Oil Pressure Gauge Range
					(PSI): 0-100
					Temperature Range (deg F):
					130-250
					NOTE: This Option Contains
					Mounting Bracket for Rubber
					Gauge Panel
<input type="checkbox"/>	1	<a href="#">S 1047 A</a>	Male Adapter Elbow	1	1/8 NPTF x 7/16-20 (45)
<input type="checkbox"/>	2	<a href="#">S 1059</a>	Plain Pipe Coupling	1	
<input type="checkbox"/>	3	<a href="#">68139</a>	Male Adapter Elbow	1	1/8 NPTF X 7/16 - 20 (90).
<input type="checkbox"/>	4	<a href="#">132048</a>	Pan Head Cap Screw	2	#10 - 32 x 5/8 in.
<input type="checkbox"/>	5	<a href="#">3900629</a>	Hexagon Flange Head Cap Screw	2	M8 X 1.25 X 16
<input type="checkbox"/>	6	<a href="#">3925543</a>	Street Pipe Tee	1	
<input type="checkbox"/>	7	<a href="#">3925628</a>	Instrument Panel	1	
<input type="checkbox"/>	8	<a href="#">3925629</a>	Pressure Gauge	1	
<input type="checkbox"/>	9	<a href="#">3925630</a>	Temperature Gauge	1	
<input type="checkbox"/>	10	<a href="#">4058351</a>	Instrument Panel Bracket	1	
<input type="checkbox"/>	11	<a href="#">3965434</a>	Flexible Hose	1	